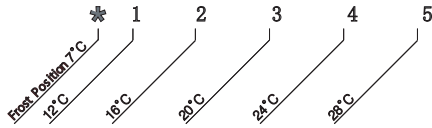




## Introduction

The thermostat has the following approximate settings



Rotate the thermostatic head clockwise and anti-clockwise between \* to 5 to select the required room temperature.

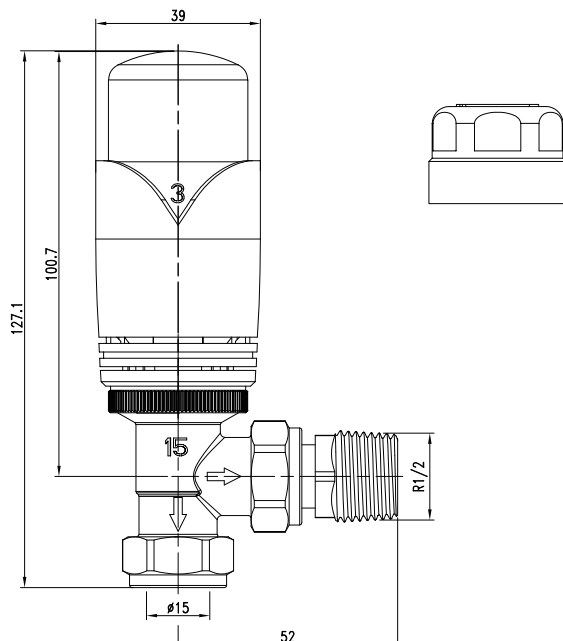
The thermostatic head has within its range a frost setting \*. When set at the \* position the thermostatic head will react when the ambient temperature drops to 7°C and allows the valve to open.

Note: Hot water must be circulating within the heating system.

## Technical Specification

- Maximum working pressure: 10 bar
- Maximum pressure differential: 1 bar
- Maximum water temperature: 100°C
- Maximum ambient temperature: 50°C
- Temperature adjustment: 7°C to 28°C
- Nominal flow rate: 150kg/h
- Maximum flow rate: 470kg/h
- Response time: 24 min
- Hysteresis at nominal flow rate: 0.80k
- Water temperature effect: 1.40k

## Dimensions



GPC-15 Gold Premium TRV chrome