

EV-RV8S Contract 8mm straight rad valves



Specifications

Medium: Water

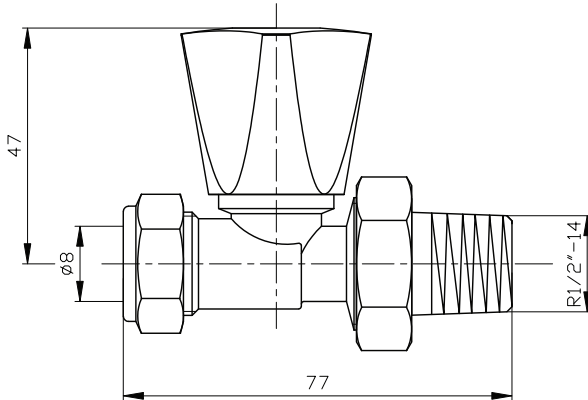
Maximum Working Pressure: 10 Bar

Maximum Pressure Differential: 1 BAR

Minimum Water Temperature: 2 °C

Maximum Water Temperature: 100 °C

Maximum Ambient Temperature: 50 °C



Material

- Valve body made of chrome-plated CW614N brass
- Valve insert made of CW614N brass with graphite seals
- Tailpiece and union-nut made of chrome-plated brass
- Wheel handle and lockshield cap made of ABS

